

Accessories

Cylindrical Sensors

Mounting Brackets

Universal Bracket

Model No. **BF 5-30**

- Holds inductive, photoelectric and ultrasonic sensors of all diameters
- Easy installation
- Simple adjustment
- Secure fastening
- Flexible
- Durable



Model Number

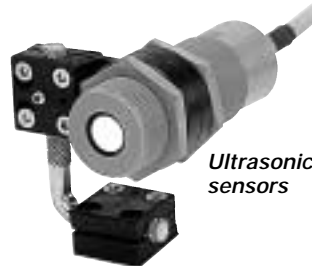
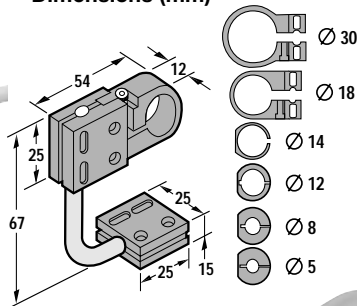
BF5-30

Dimensions (mm)

The BF 5-30 handles standard sensor sizes from 5mm to 30mm in diameter and provides 360° rotation in 2 axes.



Proximity sensors



Ultrasonic sensors



Photoelectric sensors

Adjustable Bracket

Brackets are available for all diameter cylindrical sensors. Made of tough Crastin, the mounting bracket simplifies mounting and sensor adjustment. Order bracket by model number shown.



Ultrasonic sensors



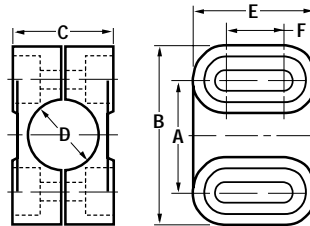
Proximity sensors



Photoelectric sensors



Fiberoptic cable



Dimensions (mm)

Model No.	Sensor Diameter	A	B	C	D	E	F	Slot Width	Mounting Screws
BF4.5	4.5mm	10	18	10	4.5	15	7	3.5mm	#6-32
BF5	5mm	10	18	10	5	15	7	3.5mm	#6-32
BF6.5	6.5mm	16	26	13	6.5	20	8	3.5mm	#6-32
BF8	8mm	16	26	13	8	20	8	3.5mm	#6-32
BF11	11mm	24	36	19	11	30	16	4.5mm	#8-32
BF12	12mm	24	36	19	12	30	16	4.5mm	#8-32
BF18	18mm	30	44	24	18	40	26	5.5mm	#10-24
BF30	30mm	40	56	36	30	40	24	5.5mm	#10-24
BF40	40mm	50	66	45	40	30	14	5.5mm	#10-24

UVW90-M30 Bracket



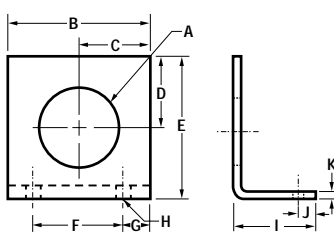
Model No.
UVW90-M30

Right Angle Bracket

Angle brackets are available in three diameter sizes and made of stainless steel. Sensors can be adjusted by using lock nuts supplied with sensor. Order by model number shown.

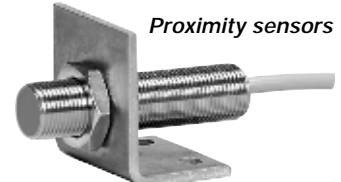


Dimensions (mm)

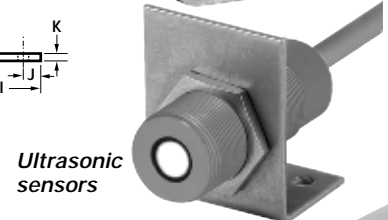


Model No. and Sensor Dia.	Sensor Dia.	A	B	C	D	E	F	G	Mounting Dia. 2 Places	H	I	J	K
AB12	12mm	12.70	31.75	15.87	17.46	31.75	19.05	6.35	4.76	25.40	5.56	3.17	
		(1/2")	(1-1/4")	(5/8")	(11/16")	(1-1/4")	(3/4")	(1/4")	(3/16")	(1")	(7/32")	(1/8")	
AB18	18mm	19.05	34.92	17.46	19.84	38.10	22.22	6.35	4.76	25.40	5.56	3.17	
		(3/4")	(1-3/8")	(11/16")	(25/32")	(1-1/2")	(7/8")	(1/4")	(3/16")	(1")	(7/32")	(1/8")	
AB30	30mm	30.96	50.80	25.40	36.91	63.50	31.75	9.52	6.35	38.10	9.52	3.17	
		(1-7/32")	(2")	(1")	(1-29/64")	(2-1/2")	(1-1/4")	(3/8")	(1/4")	(1-1/2")	(3/8")	(1/8")	

Proximity sensors



Ultrasonic sensors



Photoelectric sensors

